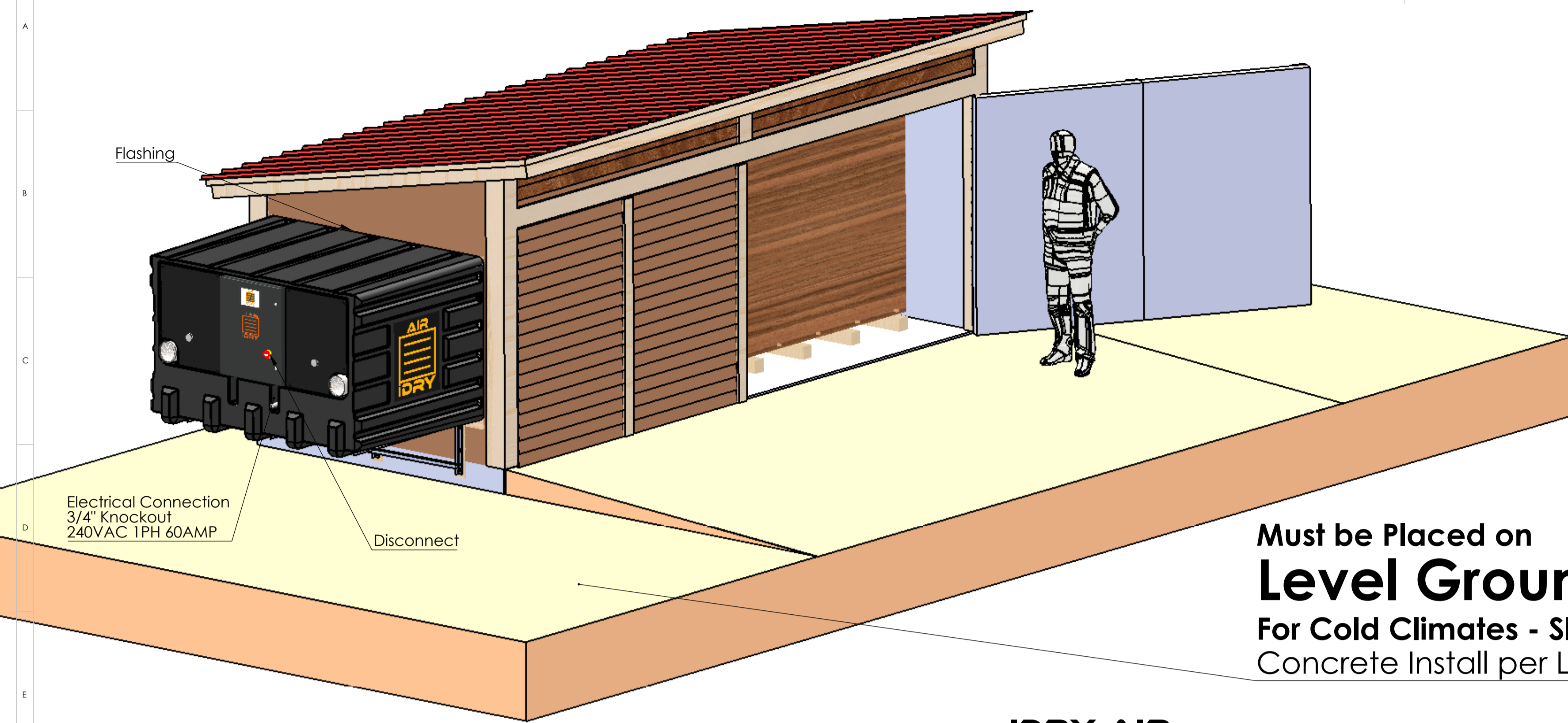


IDRY AIR

Typical Installation
Customer Supplied
Out Building

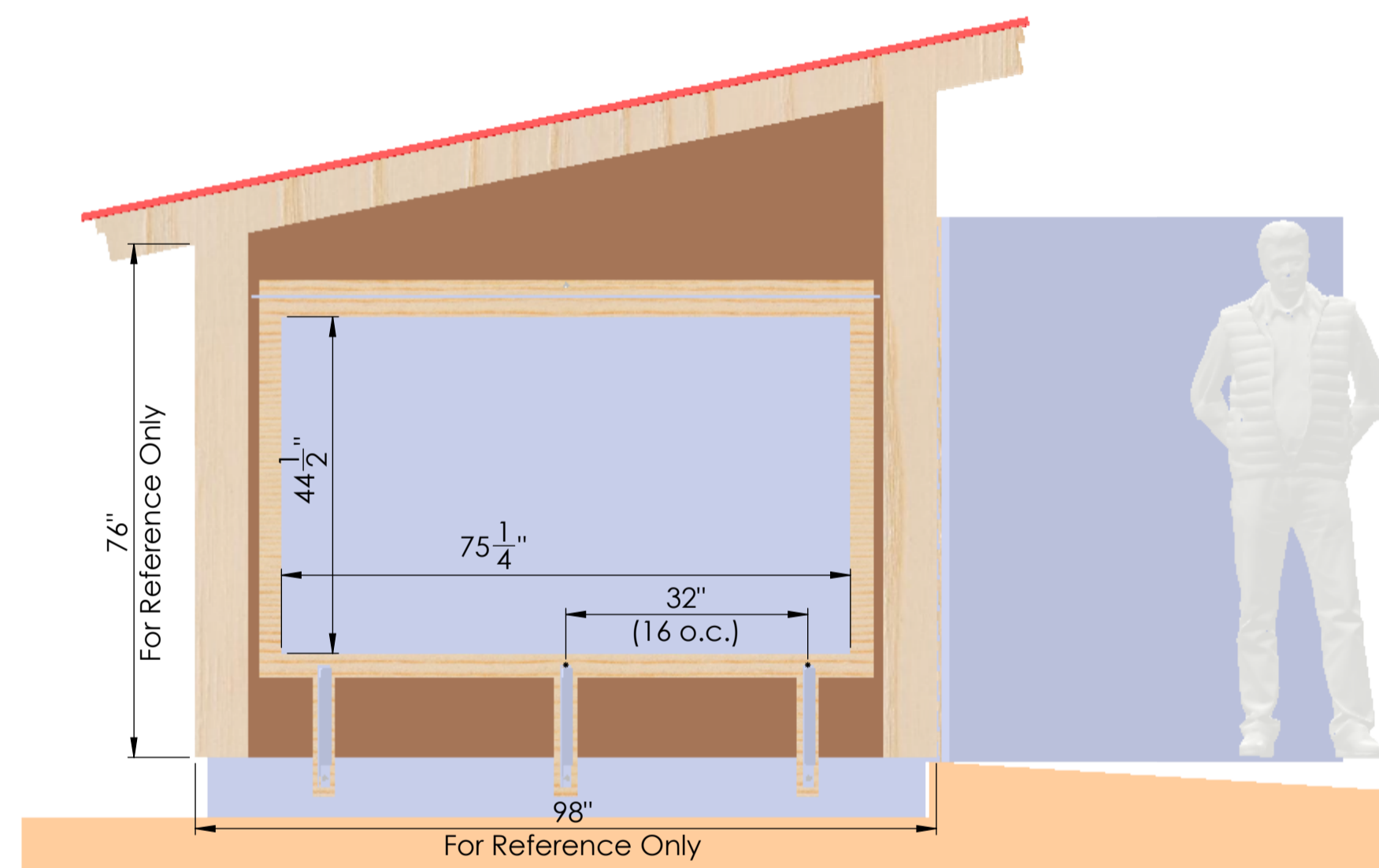
Recommended	Lumber Pack	Building Inside	Door Opening
Length	17ft	18ft	17'6"
Width	60in	72in	
Height	65in	75in	75in



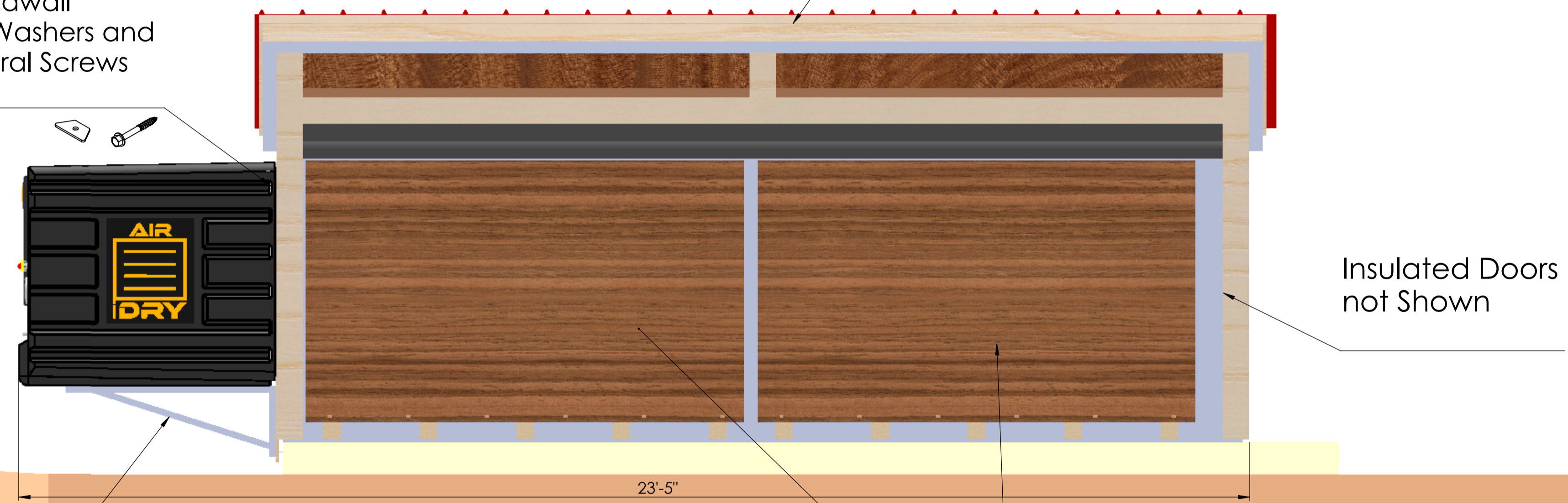
Must be Placed on Level Ground
For Cold Climates - Slab Recommended
Concrete Install per Local Building Codes

Insulated Out Building
Recommended Minimum R13

IDRY AIR
Attach to Endwall
w/ Custom Washers and
5/16" Structural Screws
or Bolts



EndWall Opening
See Separate Drawing
EndWall Framing Detail



Insulated Doors
not Shown

Angle Supports

Stickered Lumber Packs
on Bolsters

Air Baffle
Heavy Duty Epdm
By Customer

Applies to Serial # and After:

FILENAME: iDry Air Shed Install

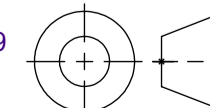
LAST SAVED Thursday, January 18, 2024 12:51:09 PM



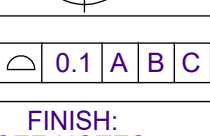
iDRY Drying Systems

Green Mountain Mechanical Design, Inc
29 PITMAN RD BARRE, VT 05641
©2018 All Rights Reserved
CONFIDENTIAL

INTERPRET GEOMETRIC
TOLERANCES PER ANSI Y14.5-2009
UNLESS OTHERWISE SPECIFIED
DIMENSIONS ARE IN INCHES



UNLESS OTHERWISE SPECIFIED
ALL UNTOLERANCED
DIMENSIONS ARE BASIC.

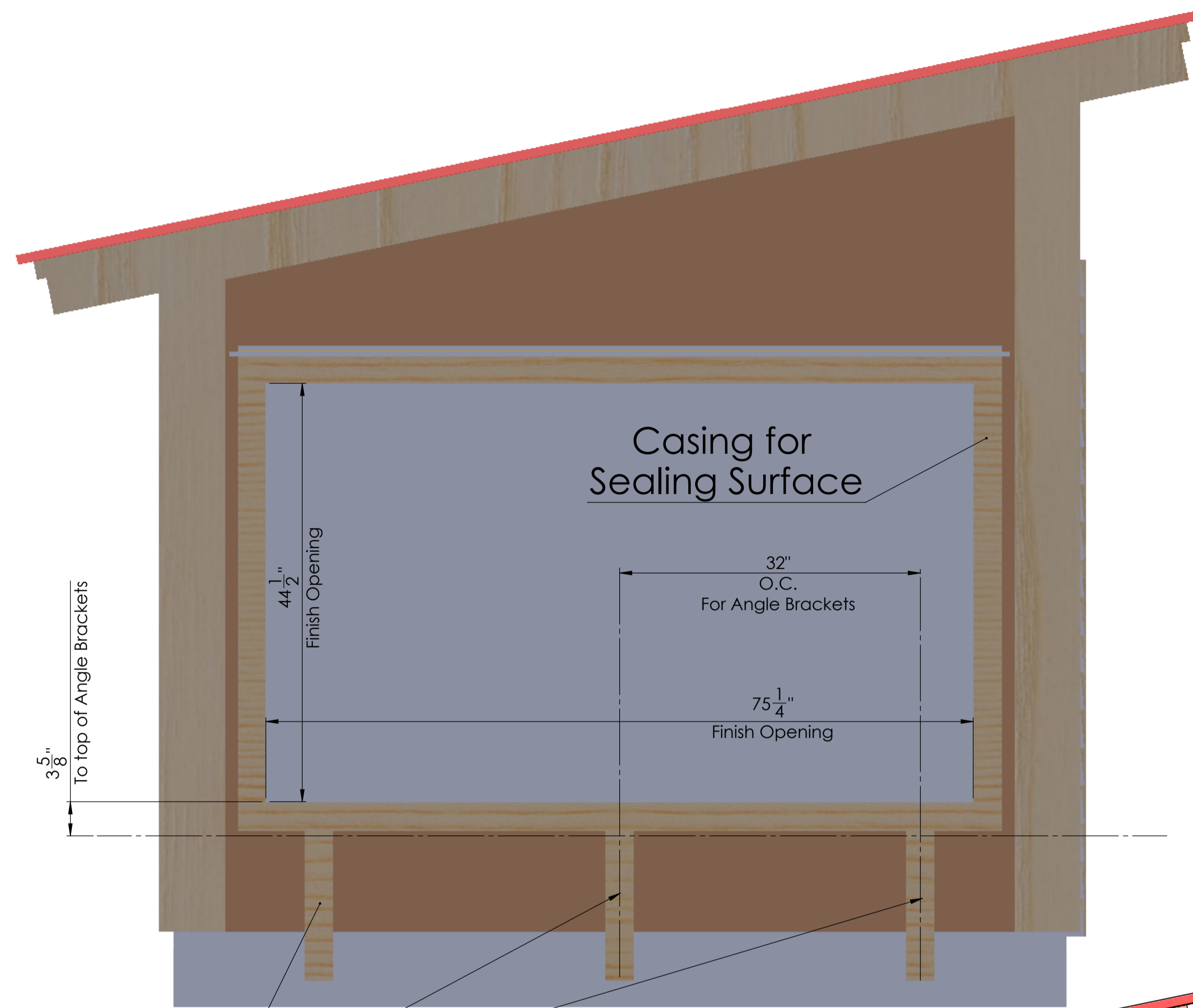


DESCRIPTION:
AIR Install - Cust. Out Build.

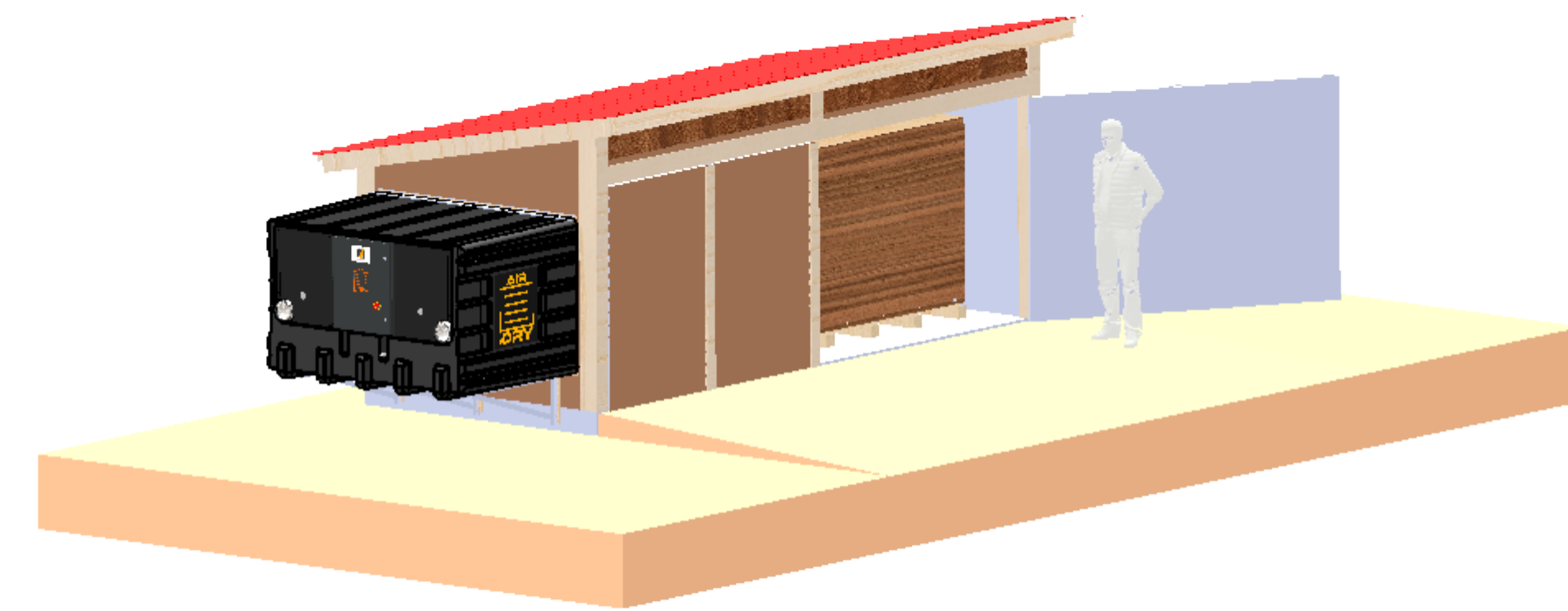
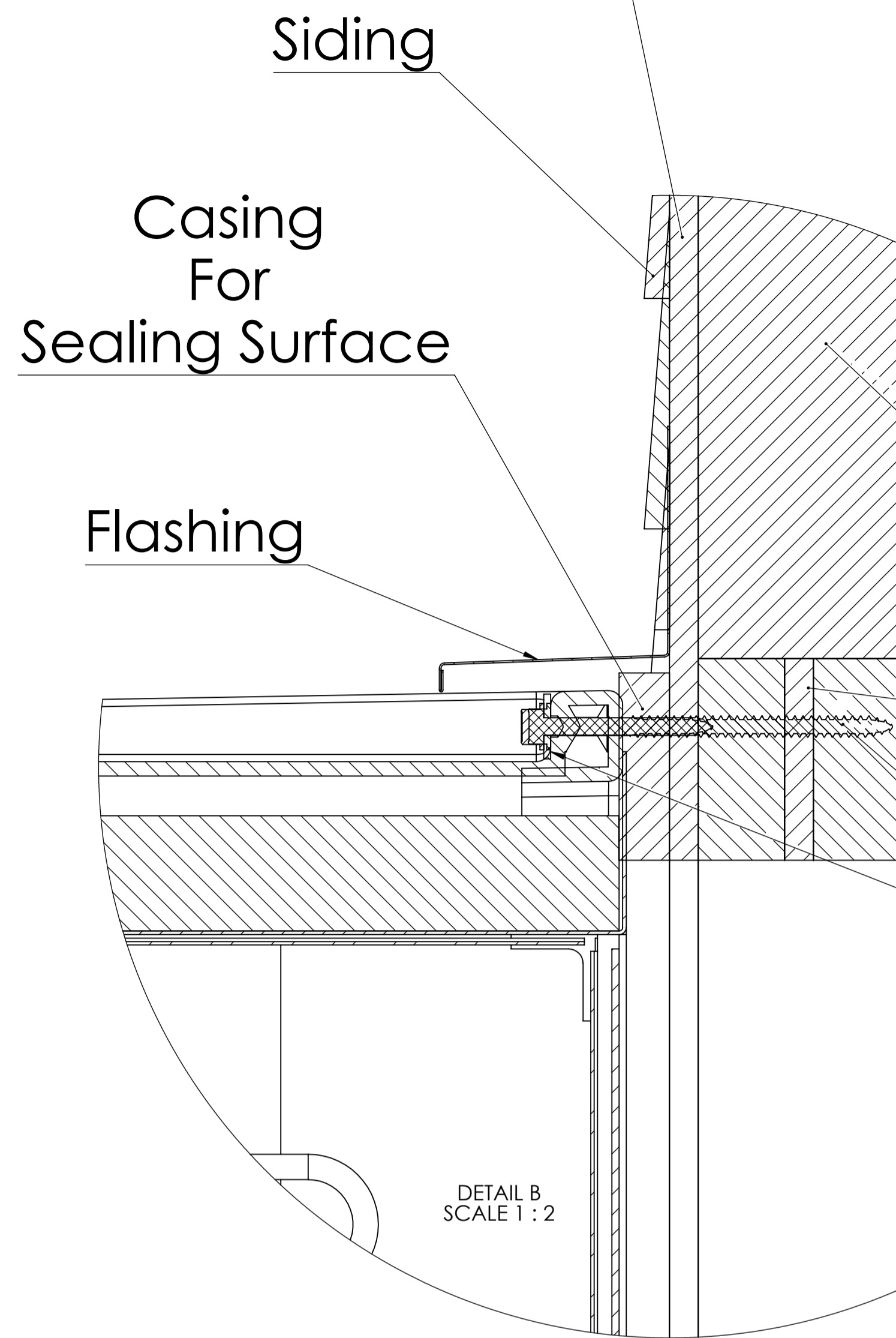
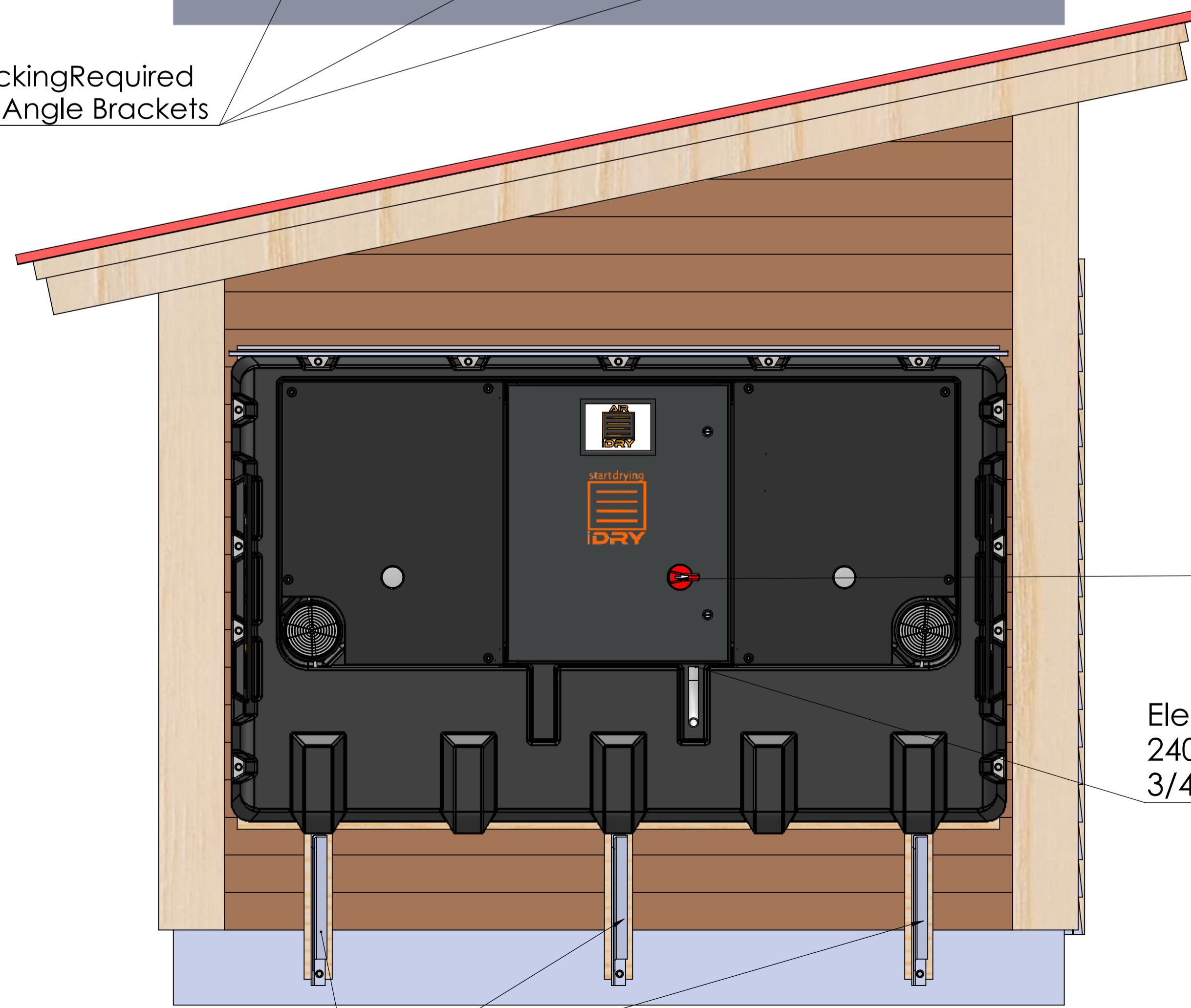
DWG BY: LT CHK BY: SIZE: PART NUMBER:
MOD BY: APR BY: A1 MASS:

SCALE: 1:50 SHT 1 OF 1

REV 1

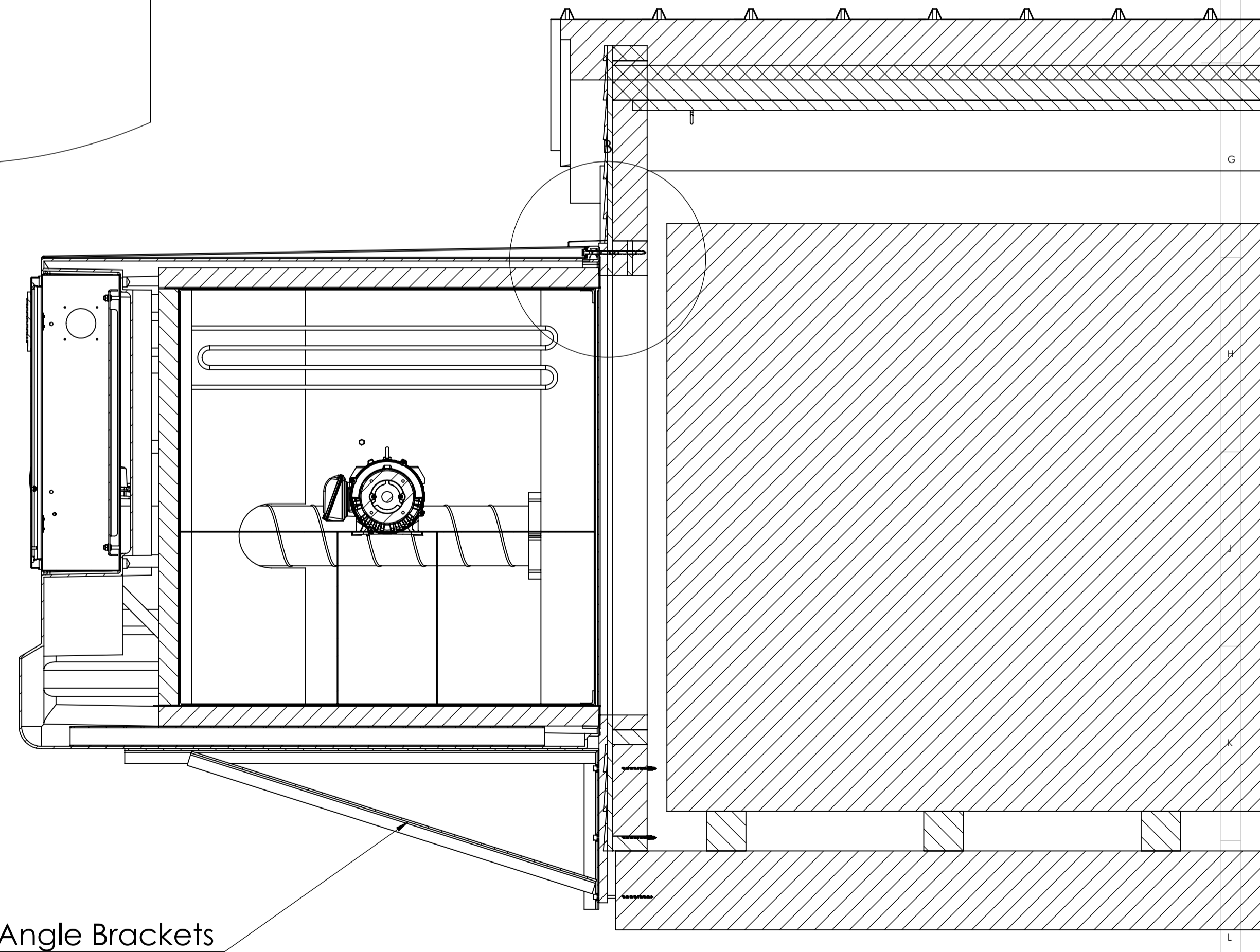


Backing Required for Angle Brackets



Typical Stud Frame Wall
16 o.c. with a stud centered on the Opening
Minimum R-13 Recommended

Custom Washers and
5/16" Structural
Screw or Bolt



Applies to Serial # and After:

FILENAME: iDry Air Shed Endwall Detail

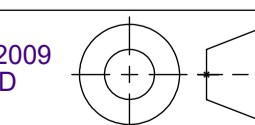
LAST SAVED Thursday, January 18, 2024 4:40:06 PM



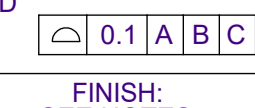
iDRY Drying Systems

Green Mountain Mechanical Design, Inc
29 PITMAN RD BARRE, VT 05641
©2018 All Rights Reserved
CONFIDENTIAL

INTERPRET GEOMETRIC
TOLERANCES PER ANSI Y14.5-2009
UNLESS OTHERWISE SPECIFIED
DIMENSIONS ARE IN INCHES



UNLESS OTHERWISE SPECIFIED
ALL UNTOLERANCED
DIMENSIONS ARE BASIC.



MATERIAL:
SEE NOTES

FINISH:
SEE NOTES

DESCRIPTION:
Air Endwall Detail

DWG BY: LT CHK BY: SIZE: PART NUMBER:
MOD BY: APR BY: A1 MASS:

SCALE: 1:50 SHT 1 OF 1

REV
1